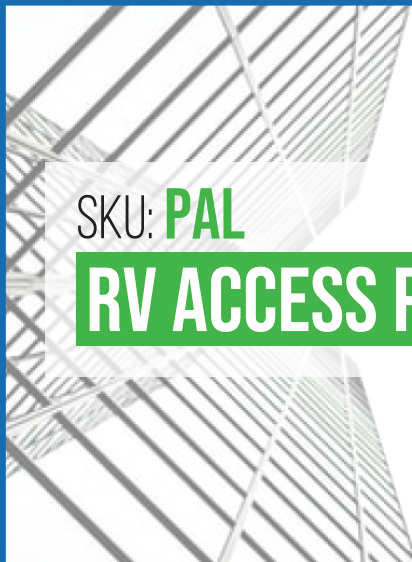


# SUBMITTAL/TECHNICAL DATA SHEET



SKU: **PAL**

**RV ACCESS PANEL**



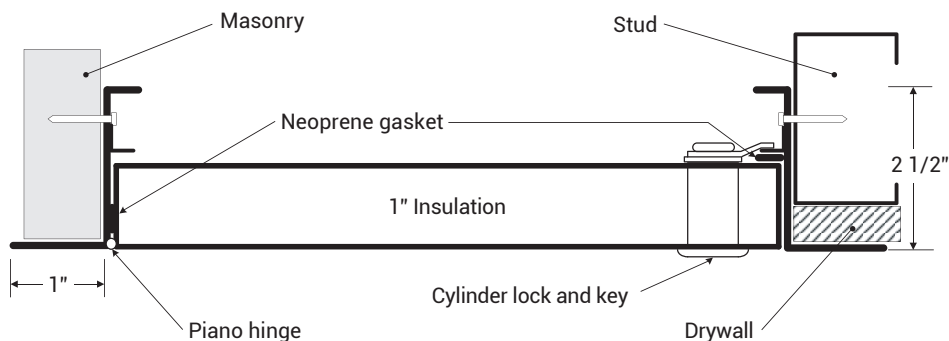
## STANDARD OPTIONS

- MATERIAL:**  
0.064" aluminum
- HINGE:**  
Aluminum continuous piano type
- GASKETING:**  
Neoprene all around perimeter
- LOCK / LATCH:**  
Cylinder lock and key
- FINISH:**  
High quality white powder coat primer
- PACKAGING:**  
Individually wrapped, 1 per box
- INSULATION:**  
1" fiberglass

## OPTIONS AVAILABLE

- LOCK / LATCH:**
- Screwdriver operated cylinder cam latch
  - Mortise slam latch preparation (cylinder optional)
  - Handle operated cam latch
- MATERIAL:**  
Stainless steel 304 #4 (brushed finish)

## INSTALLATION

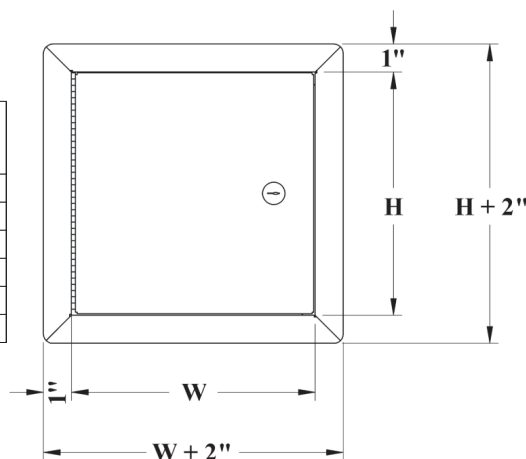


## DIMENSIONS AND APPEARANCE

For a complete list of options visit [www.AccessDoorsAndPanels.com](http://www.AccessDoorsAndPanels.com)

DOOR SIZE W x H INCHES (MM)	NUMBER OF LOCKS	WEIGHT	
		LBS	KG
8 x 8 (203 x 203)	1	2	0.9
12 x 12 (304 x 304)	1	3	1.4
16 x 16 (406 x 406)	1	6	2.7
18 x 18 (457 x 457)	1	7	3.2
24 x 24 (609 x 609)	1	13	5.9
36 x 36 (914 x 914)	2	21	9.5

ROUGH WALL OPENING IS DOOR SIZE + 1/4" OR + 6MM



## PROJECT DATA

Custom Sizes Available - Fast!

PROJECT NAME :	QTY	W	H	OPTIONS
ARCHITECT :				
DEALER :				
CONTRACTOR :				
LOCATION :	SPECIAL INSTRUCTIONS :			
DATE :				
TAGGING INSTRUCTIONS :	SUBMITTAL APPROVAL : (signature or stamp)			

**LEED READY: THIS PRODUCT CONTRIBUTES TO LEED® CREDITS**



TELEPHONE:  
1-888-457-1275

FAX:  
1-888-626-2907



PO BOX 66738 #76520,  
SAINT LOUIS, MO  
63166-6738  
USA



WEBSITE:  
[www.AccessDoorsAndPanels.com](http://www.AccessDoorsAndPanels.com)

E-MAIL:  
[info@AccessDoorsAndPanels.com](mailto:info@AccessDoorsAndPanels.com)