



SUBMITTAL/TECHNICAL DATA SHEET

www.AccessDoorsAndPanels.com

APPLICATION

This access panel is ideal for use in laboratories, clean rooms, operating rooms, etc. where an airtight/water-tight seal is required

FEATURES

- ADWT SS is a flush access door that has been tested for air infiltration and water penetration
- Door and Frame fully welded
- Continuous Bulb Trim Gasket
- Continuous Stainless Steel Piano Hinge
- Air Infiltration: less than 0.01cfm/sq foot – ASTM E 283
- Water Penetration : no leakage at 15.05 psf – ASTM E 331

SPECIFICATIONS

DOOR / DOOR FRAME: Flush to frame with reinforced edges

Stainless Steel or Steel: 16 gauge door; 16 gauge mounting frame

HINGE: Continuous exposed stainless steel piano hinge

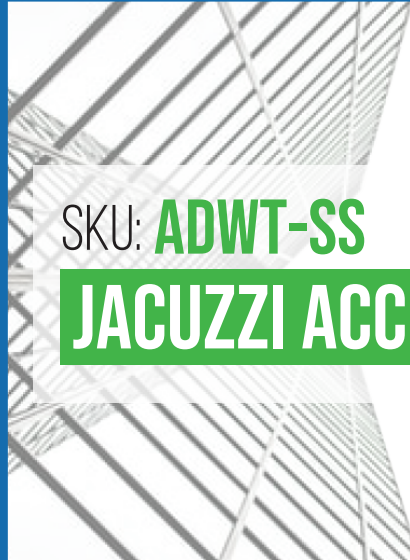
GASKET: Continuous Bulb Trim Seal

STANDARD LATCH: Stainless Steel phillips head screws standard

OPTIONAL LATCHES/LOCKS: stainless steel allen head screws, stainless steel spanner head screws, torx, cylinder lock & key

FINISH: Steel: 5-stage iron phosphate preparation with prime coat of White alkyd baking enamel OR Stainless Steel: Type 304 - #4 satin polish

For a complete list of options visit www.AccessDoorsAndPanels.com



SKU: **ADWT-SS**

JACUZZI ACCESS PANEL

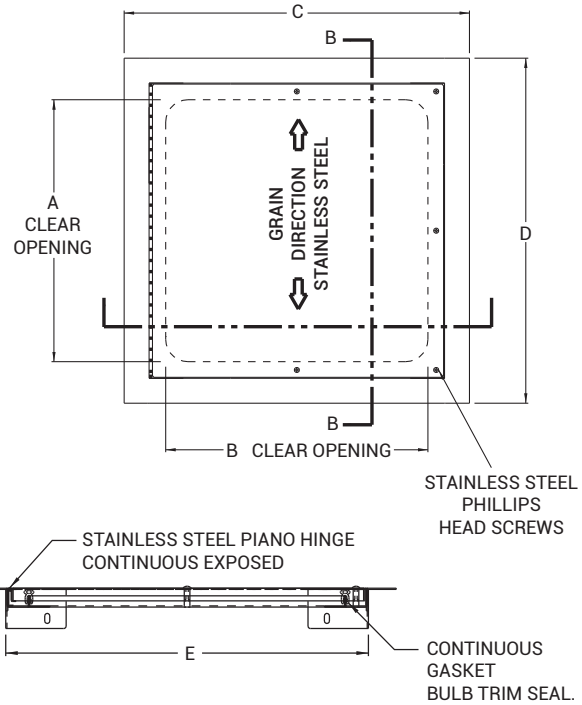
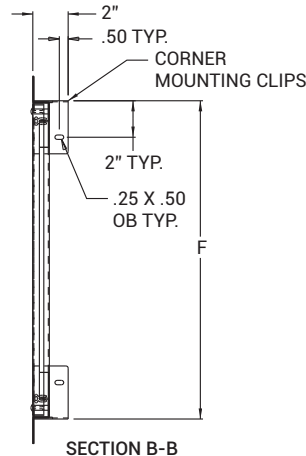


DIMENSIONS AND APPEARANCE

STANDARD SIZES:

| DOOR SIZE W x H INCHES (MM) | WEIGHT | |
|--------------------------------|--------|------|
| | LBS | KG |
| 12 x 12 (305 x 305) | 8 | 3.6 |
| 14 x 14 (355 x 355) | 11 | 5 |
| 18 x 18 (457 x 457) | 15 | 6.8 |
| 24 x 24 (610 x 610) | 22 | 10 |
| 24 x 36 (610 x 914) | 29 | 13.1 |
| 30 x 30 (762 x 762) | 32 | 14.5 |
| 30 x 48 (762 x 1219) | 44 | 20 |

Wall or ceiling opening is W + 3/8" (9 mm)
For detailed specifications see submittal sheet



STANDARD FEATURES:
FRAME FULLY WELDED TO PREVENT LEAKAGE.
CONTINUOUS GASKET BULB TRIM SEAL.
STAINLESS STEEL PHILLIPS HEAD SCREWS

Proprietary property of Acudor Products, Inc., sold and distributed with proper authorization

PROJECT DATA

Custom Sizes Available - Fast!

| PROJECT NAME : | QTY | W | H | OPTIONS |
|------------------------|--|---|---|---------|
| ARCHITECT : | | | | |
| DEALER : | | | | |
| CONTRACTOR : | | | | |
| LOCATION : | SPECIAL INSTRUCTIONS : | | | |
| DATE : | | | | |
| TAGGING INSTRUCTIONS : | SUBMITTAL APPROVAL : (signature or stamp) | | | |

TELEPHONE:
1-888-457-1275
FAX:
1-888-626-2907

PO BOX 66738 #76520,
SAINT LOUIS, MO
63166-6738
USA

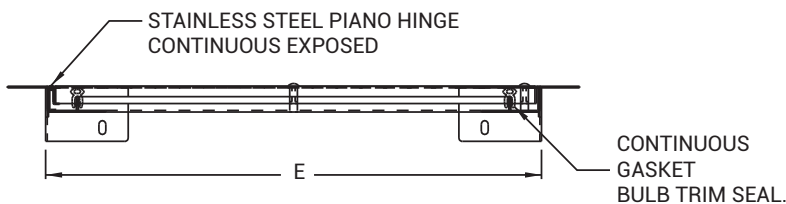
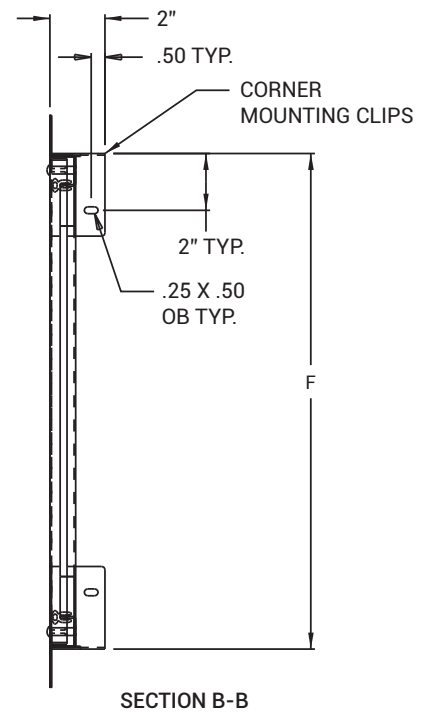
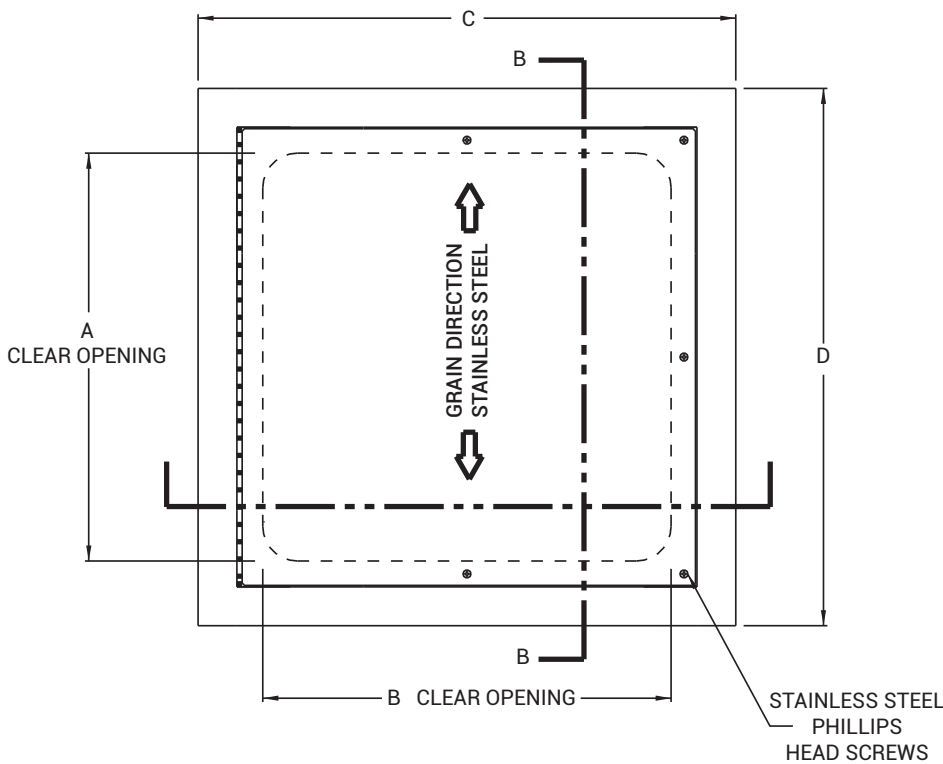
WEBSITE:
www.AccessDoorsAndPanels.com
E-MAIL:
info@AccessDoorsAndPanels.com



ADWT-SS

JACUZZI ACCESS PANEL

| NOMINAL DOOR SIZE | A | B | C | D | E | F | SCREWS |
|----------------------|--------------|-------------|-------------|--------------|-------------|--------------|--------|
| in. (mm) | | | | | | | |
| 12 x 12 (305 x 305) | 9.65 (245) | 9.65 (245) | 14.75 (375) | 14.75 (375) | 12.00 (305) | 12.00 (305) | 2 |
| 14 x 14 (355 x 355) | 11.65 (296) | 11.65 (296) | 16.75 (425) | 16.75 (425) | 14.00 (355) | 14.00 (355) | 2 |
| 18 x 18 (457 x 457) | 15.65 (397) | 15.65 (397) | 20.75 (527) | 20.75 (527) | 18.00 (457) | 18.00 (457) | 2 |
| 24 x 24 (610 x 610) | 21.65 (550) | 21.65 (550) | 26.75 (679) | 26.75 (679) | 24.00 (610) | 24.00 (610) | 2 |
| 24 x 36 (610 x 914) | 33.65 (855) | 21.65 (550) | 26.75 (679) | 38.75 (984) | 24.00 (610) | 36.00 (914) | 3 |
| 30 x 30 (762 x 762) | 27.65 (702) | 27.65 (702) | 32.75 (832) | 32.75 (832) | 30.00 (762) | 30.00 (762) | 5 |
| 30 x 48 (762 x 1219) | 45.65 (1159) | 27.65 (702) | 32.75 (832) | 50.75 (1289) | 30.00 (762) | 48.00 (1219) | 5 |



STANDARD FEATURES:
 FRAME FULLY WELDED TO PREVENT LEAKAGE.
 CONTINUOUS GASKET BULB TRIM SEAL.
 STAINLESS STEEL PHILLIPS HEAD SCREWS