



JL INDUSTRIES

SUBMITTAL/TECHNICAL DATA SHEET

DESCRIPTIONS

The Dur-Red domed roof hatch provides single-handed opening and closing for safe and easy access to rooftops from either ladders or stairs. Polyisocyanurate insulation in the cover and on the curb give you an energy-saving upgrade from our previous model. Galvanneal construction with a durable factory powder coat finish does not need to be painted in the field.

SPECIFICATIONS

MATERIAL: Steel- 14 gauge galvanneal curb and cover with 22 gauge galvanneal liner. Aluminum—11 gauge aluminum curb and cover with 18 gauge aluminum liner.

FINISH: Powder coat gray texture on steel, powder coat silver texture on aluminum.

GASKET: Weatherproof EPDM sponge rubber adhesive-backed seal.

DOMES: Clear over white polycarbonate.

INSULATION: 1" polyisocyanurate in curb and in cover.

HINGES: Heavy-duty galvanneal steel or aluminum hinge with bolt pin.

HOLD-OPEN ARM: Clear zinc-plated steel hold-open arm.

LATCH: Zinc-plated steel single point slam latch.

SPRINGS: Pressure intensifiers with compression spring provide lift assistance.

SIZES: Minimum 30" x 30", Maximum: 36" x 60" or 48" x 48". (W x L where L is the hinged side)

Order Size = Curb Opening

For a complete list of options visit www.AccessDoorsAndPanels.com



SKU: RHUV

DURA HATCH SERIES DOMED ROOF HATCH

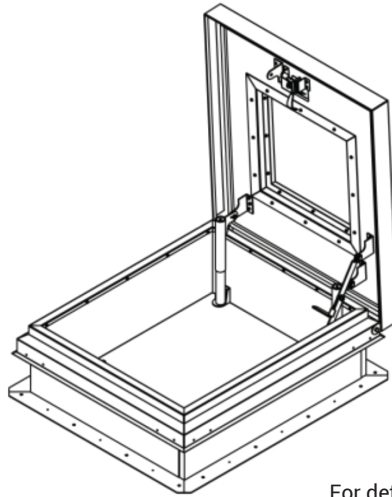
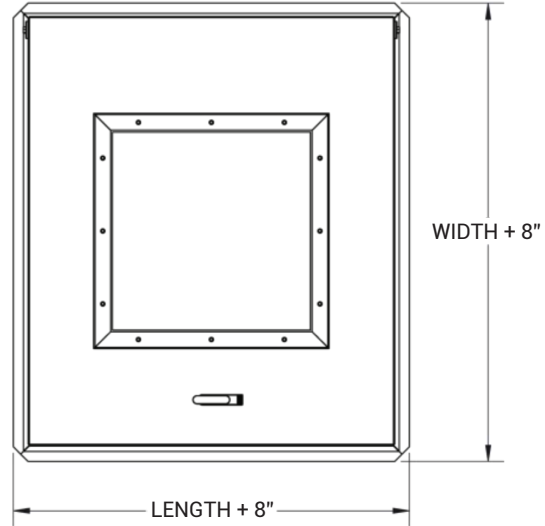


DIMENSIONS AND APPEARANCE

>> CLICK TO VIEW ADDITIONAL DETAILS AND PRICING <<

STANDARD SIZES:

WIDTH x LENGTH	MODEL	MATERIAL	TYPE
30" x 30"	RHUVA-3030ST	Aluminum	Ladder
30" x 54"	RHUVA-2ST	Aluminum	Stair
36" x 30"	RHUVA-1ST	Aluminum	Ladder
36" x 36"	RHUVA-4ST	Aluminum	Ladder
48" x 48"	RHUVA-5ST	Aluminum	Ladder
30" x 30"	RHUVG-3030GT	Galvanneal	Ladder
30" x 54"	RHUVG-2GT	Galvanneal	Stair
36" x 30"	RHUVG-1GT	Galvanneal	Ladder
36" x 36"	RHUVG-4GT	Galvanneal	Ladder
48" x 48"	RHUVG-5GT	Galvanneal	Ladder



ACCESSORIES SOLD SEPARATELY:

- Safety Post, Safety Yellow (LP-4)
- Bolt-On Safety Railing (RSHWB)

For detailed specifications see submittal sheet

PROJECT DATA

Custom Sizes Available - Fast!

Scan or Click



To view Pricing and Additional Product Info.

PROJECT NAME :	QTY	W	H	OPTIONS
ARCHITECT :				
DEALER :				
CONTRACTOR :				
LOCATION :	SPECIAL INSTRUCTIONS :			
DATE :	SUBMITTAL APPROVAL :			
TAGGING INSTRUCTIONS :	(signature or stamp)			

TELEPHONE:
1-888-457-1275

FAX:
1-888-626-2907



PO BOX 66738 #76520,
SAINT LOUIS, MO
63166-6738
USA



WEBSITE:
www.AccessDoorsAndPanels.com

E-MAIL:
info@AccessDoorsAndPanels.com



SUBMITTAL

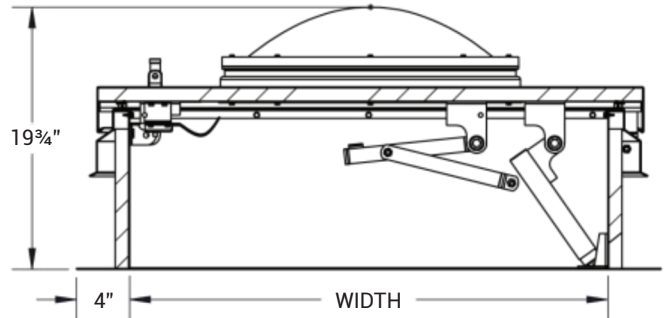
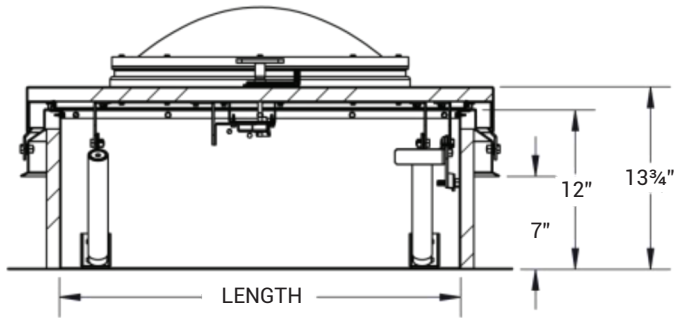
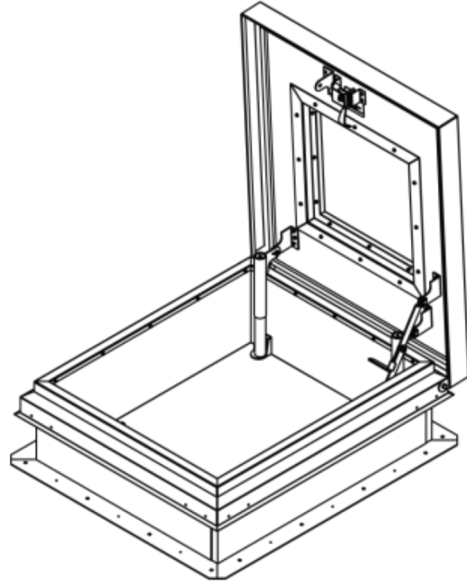
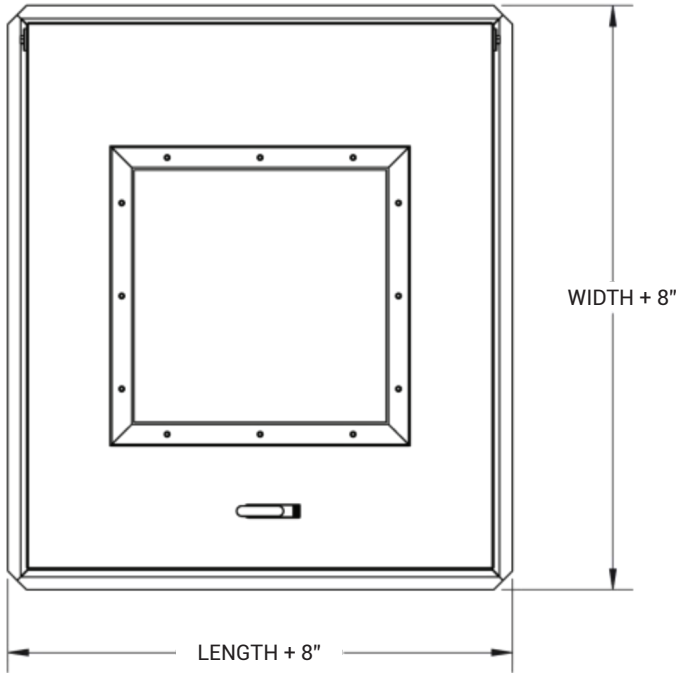
TELEPHONE:
1-888-457-1275
FAX:
1-888-626-2907

PO BOX 66738 #76520,
SAINT LOUIS, MO
63166-6738
USA

WEBSITE:
www.AccessDoorsAndPanels.com
E-MAIL:
info@AccessDoorsAndPanels.com

RHUV

DURA HATCH SERIES DOMED ROOF HATCH



ORDER GUIDE:

MATERIAL	WIDTH	LENGTH	FINISH	OPTIONS
<input type="checkbox"/> G Galvanneal	<input type="text"/>	<input type="text"/>	<input type="checkbox"/> GT Powder Coat Gray Texture (Std for RHUVG)	<input type="checkbox"/> ABC All But Curb™
<input type="checkbox"/> A Aluminum			<input type="checkbox"/> ST Powder Coat Silver Texture (Std for RHUVA, RHVGA)	<input type="checkbox"/> CD Double Wall Curb
<input type="checkbox"/> GA Steel Curb, Aluminum Cover				<input type="checkbox"/> CM Curb Mount
				<input type="checkbox"/> Hxx Optional Curb Height - Enter Size Below Specify Curb Height from 13" to 22"
				<input type="checkbox"/> IT 2" Polyiso Curb
				<input type="checkbox"/> IW 1" x 6" Wood Nailer Top/Polyiso Bottom of Curb
				<input type="checkbox"/> SS Stainless Hardware
				<input type="checkbox"/> VPW Polycarbonate Single Dome White