

SUBMITTAL/TECHNICAL DATA SHEET



SPECIFICATIONS

01. 1/4" Aluminum frame.
02. 1/4" Aluminum diamond pattern plate cover.
03. Piano hinge, 3" with stainless steel pin.
04. Gas springs with damper and hold open feature
05. Lever lock
06. EPDM Gasket (All around cover)
07. 3/8" Dia. aluminum anchor rod (Spaced 18" O.C.)

SHOP FINISH:

- ALUMINUM: Mill finish
- HARDWARE: Type 316 Stainless Steel (Unless otherwise specified)

Reinforced for H20 Loading

SKU: **FT-30**

FLOODTIGHT ACCESS DOOR

TYPE FT30 - SINGLE LEAF - EXTERIOR



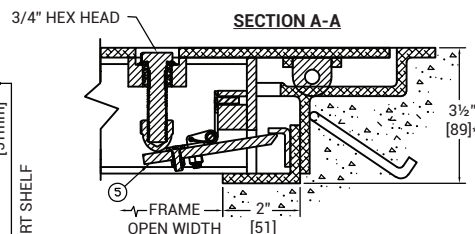
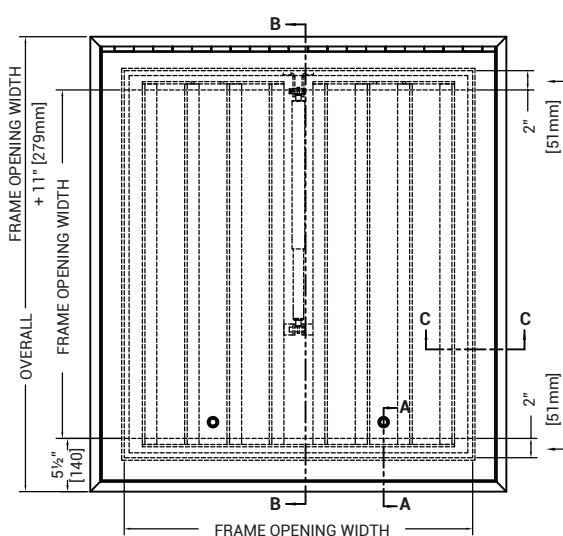
INSTALLER NOTES:

A. Use caution. Cover is spring loaded. Do not remove safety shipping bolt until unit is to be installed and in normal horizontal operating position.

B. Before anchoring in place open and close door. Check to see that the door in the closed position rests on the frame all around. If not, shim under the frame at the proper corner.

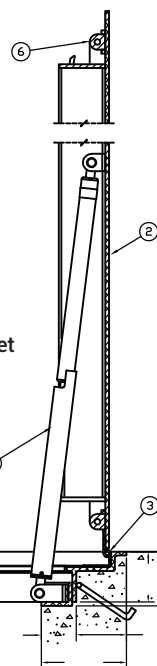
DIMENSIONS AND APPEARANCE

>> CLICK TO VIEW ADDITIONAL DETAILS AND PRICING <<

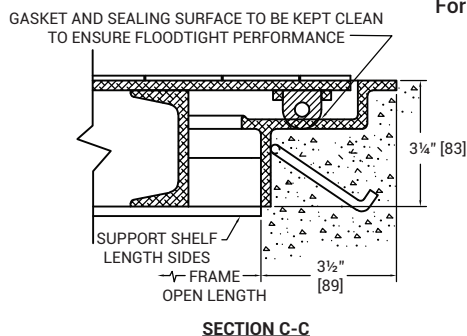


CHANNEL SUPPORT SHELF MUST BE SUPPORTED BY CONCRETE OR STEEL TO CARRY H-20 LOADING

* 4 1/2" [114] SHELF DEPTH FOR FT30-5
HATCHES GREATER THAN 12 SQ. FT. MAY HAVE LARGER SHELF DEPTH



For detailed specifications see submittal sheet



For a complete list of options visit www.AccessDoorsAndPanels.com

QTY	TYPE	SIZE WIDTH X LENGTH
<input type="checkbox"/>	FT30-1	2'-0" X 2'-0" [610mm] X [610mm]
<input type="checkbox"/>	FT30-2	2'-6" X 2'-6" [762mm] X [762mm]
<input type="checkbox"/>	FT30-3	3'-0" X 2'-6" [914mm] X [762mm]
<input type="checkbox"/>	FT30-4	3'-0" X 3'-0" [914mm] X [914mm]
<input type="checkbox"/>	FT30-4	3'-6" X 3'-6" [1065mm] X [1065mm]

PROJECT DATA

Custom Sizes Available - Fast!

PROJECT NAME :	QTY	W	H	OPTIONS
ARCHITECT :				
DEALER :				
CONTRACTOR :				
LOCATION :	SPECIAL INSTRUCTIONS :			
DATE :				
TAGGING INSTRUCTIONS :	SUBMITTAL APPROVAL : (signature or stamp)			

Scan or Click



To view Pricing and Additional Product Info.

TELEPHONE:
1-888-457-1275
FAX:
1-888-626-2907



PO BOX 66738 #76520,
SAINT LOUIS, MO
63166-6738
USA

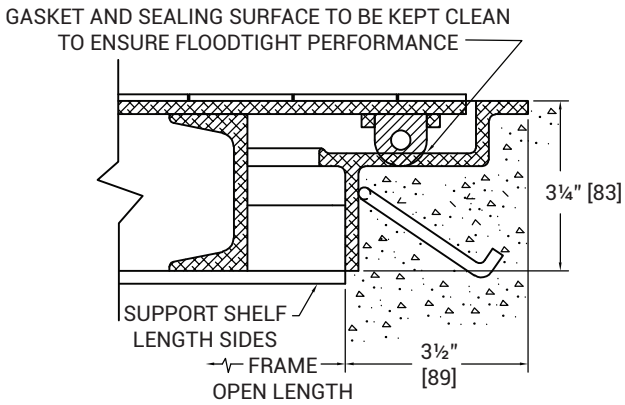
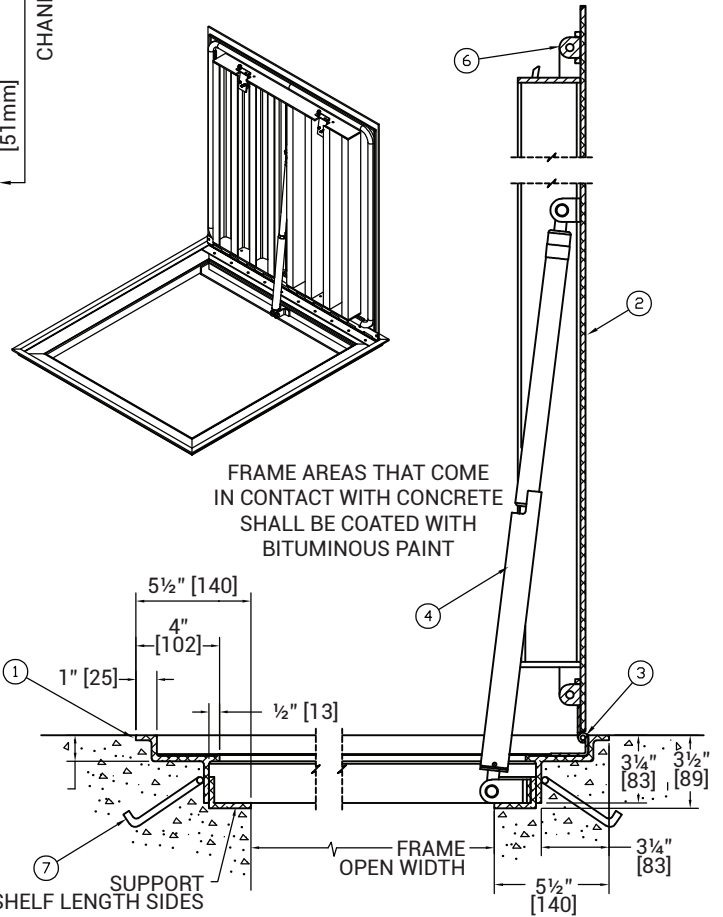
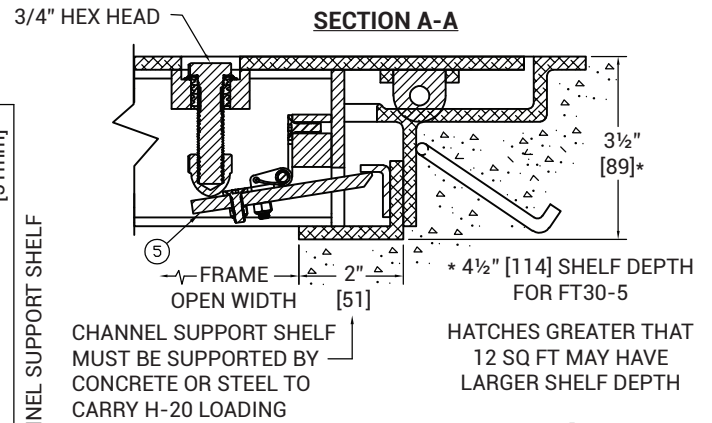
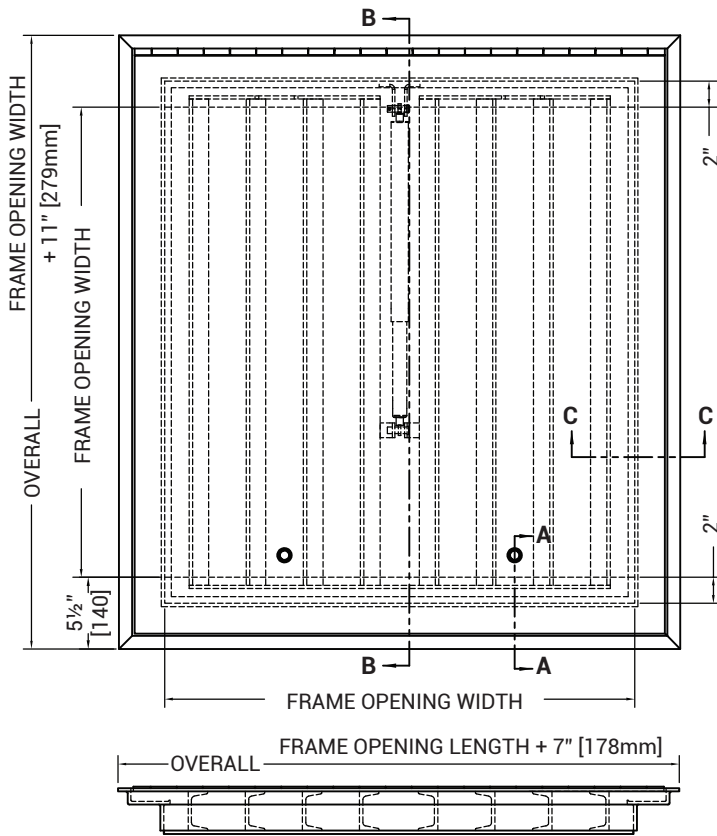


WEBSITE:
www.AccessDoorsAndPanels.com
E-MAIL:
info@AccessDoorsAndPanels.com



FT-30

SINGLE LEAD FLOODTIGHT ACCESS DOOR - EXTERIOR



NOTE

1. DESIGNED TO WITHSTAND H-20 WHEEL LOADING SUITABLE FOR USE IN OFFSTREET LOCATIONS, INFREQUENT & INCIDENTAL WHEEL LOADINGS ONLY. NOT SUBJECTED TO HIGH DENSITY TRAFFIC
2. DESIGN FACTORY TESTED TO WITHSTAND 30' HEAD OF WATER