



SUBMITTAL/TECHNICAL DATA SHEET

DESCRIPTIONS

JL Industries' innovative line of fire-rated access panels for every type of installation offer self-closing doors and several material and locking options.

SPECIFICATIONS

FRAME MATERIAL: 16 gauge cold rolled steel.

FLANGE: Exposed flange width is 1".

DOOR MATERIAL: 20 gauge cold rolled steel.

FINISH: White powder coat.

INSULATION: 2" mineral wool. R-value 8.

HINGE: Continuous hinge—door opens to 180°.

CLOSER: Panel automatically closes and latches from an open position of 90° as required by NFPA 80.

LATCH: (U) Universal lock with ring and key standard

SIZES:

Minimum Wall Size 8" x 8",
Maximum Wall Size 48" x 48"
Maximum Ceiling Size 24" x 36"



DIMENSIONS AND APPEARANCE

>> CLICK TO VIEW ADDITIONAL DETAILS AND PRICING <<

LATCH AND LOCK OPTIONS:

Standard (U) Universal Ring/Key	Optional Knurled Knob (U2)
Optional Mortise Lock (U4)	



FIRE-RATING INFORMATION

UL Certified and Labeled:

Wall/Vertical: 1-1/2 hours, tested per ANSI/UL10B and CAN/ULC-S104

Intertek Warnock Hersey Listed and Labeled:

Wall/Vertical: 1-1/2" hours, tested per ANSI/UL10B, 450°F temperature rise at 30 minutes

Ceiling/Horizontal: 3 hours non-combustible or 1 hour combustible, tested per UBC 43-7 "B" label 1-1/2-hour fire door assemblies are allowed in 2-hour walls per IBC 2024 Table 716.1(2) Opening Fire Protection Assemblies

OPTIONS:

Optional Material: 304 Stainless steel with #4 finish; 20 gauge door, 16 gauge frame.

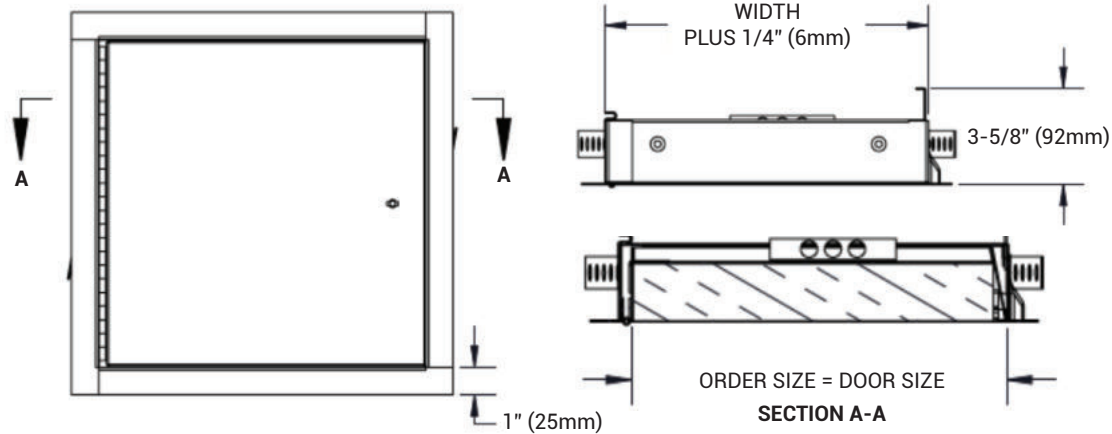
Optional Latches: Knurled knob, mortise prep, mortise lock installed.

Additional Options: Colors, 14, 16 or 18 gauge construction.

NOTES:

Order size: W x H = Door size

Clear Opening: 1-1/4" smaller than order size
Installation conditions may vary. Please consult your local Authority Having Jurisdiction (AHJ) for applicable standards.



For detailed specifications see submittal sheet

For a complete list of options visit
www.AccessDoorsAndPanels.com

PROJECT DATA

Custom Sizes Available - Fast!

Scan or Click



To view Pricing and
Additional Product Info.

PROJECT NAME :	QTY	W	H	OPTIONS
ARCHITECT :				
DEALER :				
CONTRACTOR :				
LOCATION :	SPECIAL INSTRUCTIONS :			
DATE :				
TAGGING INSTRUCTIONS :	SUBMITTAL APPROVAL : (signature or stamp)			

TELEPHONE:
1-888-457-1275
FAX:
1-888-626-2907



PO BOX 66738 #76520,
SAINT LOUIS, MO
63166-6738
USA



WEBSITE:
www.AccessDoorsAndPanels.com
E-MAIL:
info@AccessDoorsAndPanels.com



FDS

FIRE-RATED INSULATED STAINLESS STEEL PANEL

STANDARD SIZES:

A			C		D		APPROX. SHIPPING WEIGHT IN POUNDS		LATCH (ES)
MODEL SIZE IS DOOR SIZE WIDTH X HEIGHT			Opening Size 1-1/2 Hour Rated for 2 Hour Wall, 1 Hour Combustible Ceiling, 2-3 Hour Non-Combustible Ceiling		Opening Size 1-1/2 Hour Rated for 2-Hour Wall, t2-3 Hour Non-Combustible Ceiling (Allowance for Fire-Rated Liner of Opening)		FD	FDS	
Model	Inches	mm	Width Inches	Height Inches	Width Inches	Height Inches			
WALL OR CEILING SIZES									
9FD-0808UW	8" x 8"	203 x 203	8 3/8	8 3/8	9 5/8	9 5/8	6	6	1
9FD-1010UW	10" x 10"	254 x 254	10 3/8	10 3/8	11 5/8	11 5/8	8	8	1
9FD-1212UW	12" x 12"	305 x 305	12 3/8	12 3/8	13 5/8	13 5/8	10	10	1
9FD-1414UW	14" x 14"	356 x 356	14 3/8	14 3/8	15 5/8	15 5/8	12	12	1
9FD-1616UW	16" x 16"	406 x 406	16 3/8	16 3/8	17 5/8	17 5/8	15	15	1
9FD-1818UW	18" x 18"	457 x 457	18 3/8	18 3/8	19 5/8	19 5/8	17	18	1
9FD-2020UW	20" x 20"	508 x 508	20 3/8	20 3/8	21 5/8	21 5/8	21	22	1
9FD-2030UW	20" x 30"	508 x 762	20 3/8	30 3/8	21 5/8	31 5/8	28	29	2
9FD-2222UW	22" x 22"	559 x 559	22 3/8	22 3/8	23 5/8	23 5/8	26	27	1
9FD-2230UW	22" x 30"	559 x 762	22 3/8	30 3/8	23 5/8	31 5/8	29	30	2
9FD-2236UW	22" x 36"	559 x 914	22 3/8	36 3/8	23 5/8	37 5/8	36	37	2
9FD-2424UW	24" x 24"	610 x 610	24 3/8	24 3/8	25 5/8	25 5/8	27	28	1
9FD-2436UW	24" x 36"	610 x 914	24 3/8	36 3/8	25 5/8	37 5/8	37	38	2
WALL SIZES ONLY BELOW									
9FD-2448UW	24" x 48"	610 x 1219	24 3/8	48 3/8	--	--	54	-	2
9FD-3030UW	30" x 30"	762 x 762	30 3/8	30 3/8	--	--	38	-	2
9FD-3232UW	32" x 32"	813 x 813	32 3/8	32 3/8	--	--	43	-	2
9FD-3636UW	36" x 36"	914 x 914	36 3/8	36 3/8	--	--	52	-	2
9FD-3648UW	36" x 48"	914 x 1219	36 3/8	48 3/8	--	--	61	-	2
9FD-4848UW	48" x 48"	1219 x 1219	48 3/8	48 3/8	--	--	75	-	2

FOR OTHER SIZES, MATERIALS OR OPTIONS, FILL OUT MADE-TO-ORDER CHART

Sizes not shown available upon request up to 48" x 48" in 1/4" increments. Use table on "Made-to-Order" below, for other sizes.
For sizes where height exceeds 48" - see the FCI Series access panels

MADE-TO-ORDER FD - EXAMPLE: 9FD-1212U4W-H3

QTY	MODEL	MATERIAL	- WIDTH	HEIGHT	LATCHES, LOCK & LOCK PREP OPTIONS	FINISH	- OPTIONS FOR WALLS ONLY
1	9FD	<input type="checkbox"/> blank Cold Rolled Steel <input type="checkbox"/> G Galvanneal <input type="checkbox"/> S 304 Stainless with #4 finish	<input type="checkbox"/>	<input type="checkbox"/>	<input checked="" type="checkbox"/> U Universal slam latch with ring and key (Std) <input type="checkbox"/> U2 Slam latch with knurled knob <input type="checkbox"/> U3 Mortise slam lock prep for lock by others <input type="checkbox"/> U4 Mortise slam lock prep/Lock 06431 installed (See separate lock option document for more details about U3 & U4)	<input type="checkbox"/> W White (Standard) <input type="checkbox"/> G Gray <input checked="" type="checkbox"/> Other	<input type="checkbox"/> H14 14 ga door with 14 ga frame (Up to 24" x 48") <input type="checkbox"/> H2 16 ga door with 16 ga frame <input type="checkbox"/> H3 18 ga door with 16 ga frame



SUBMITTAL

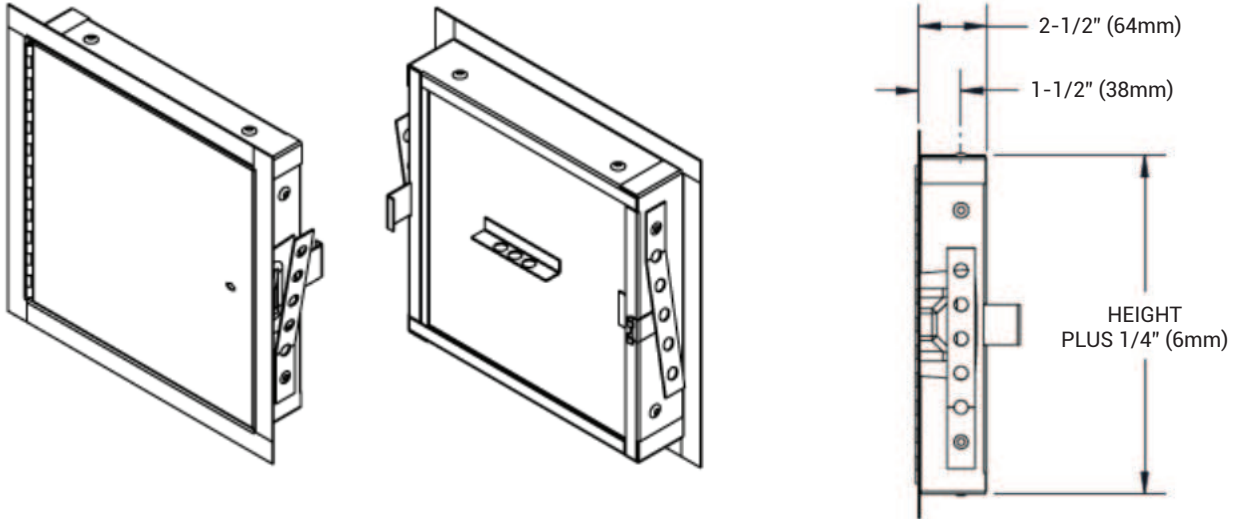
TELEPHONE:
1-888-457-1275
FAX:
1-888-626-2907

PO BOX 66738 #76520,
SAINT LOUIS, MO
63166-6738
USA

WEBSITE:
www.AccessDoorsAndPanels.com
E-MAIL:
info@AccessDoorsAndPanels.com

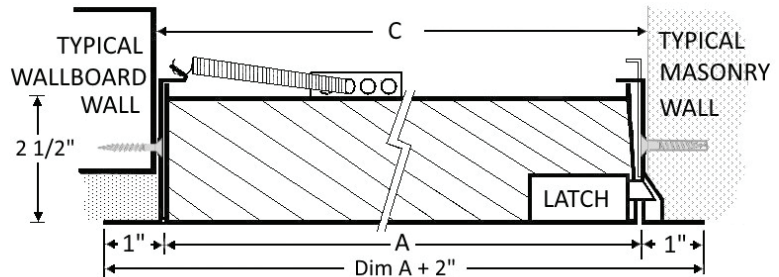
FDS

FIRE-RATED INSULATED STAINLESS STEEL PANEL



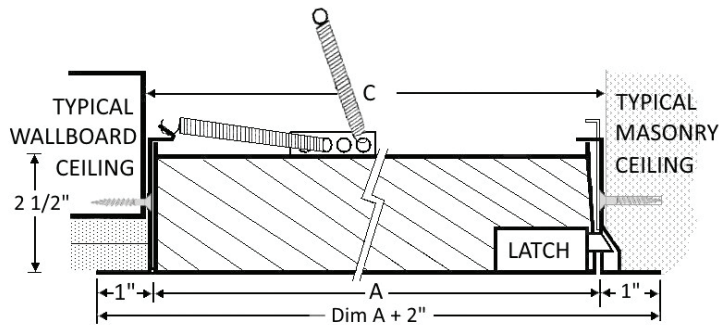
WALL INSTALLATION (Side View)

Use "C" Dimension for Installation for Stud to Stud or
Masonry Installation
Use "D" Dimension When Using 5/8" Wallboard Liner of
Opening on 4 Sides



CEILING INSTALLATION (Side View)

Use "C" Dimension for Stud to Stud or Masonry Installation
Without Wallboard Liner



CEILING INSTALLATION (Side View)

Use "D" Dimension When Using 5/8" Wallboard Liner of
Opening on 4 Sides

