

**DESCRIPTIONS**

Flashings are essential for the correct installation of skylights. Precisely designed flashing details ensure a durable and neat fit with the used roofing material.

All flashings are manufactured using aluminum as standard, permanently protected with a polyester varnish.

EL-C – flashing for use with FXC and FVC-S skylight.

**SPECIFICATIONS**

**COLLAR MATERIAL:**

Aluminium sheet metal

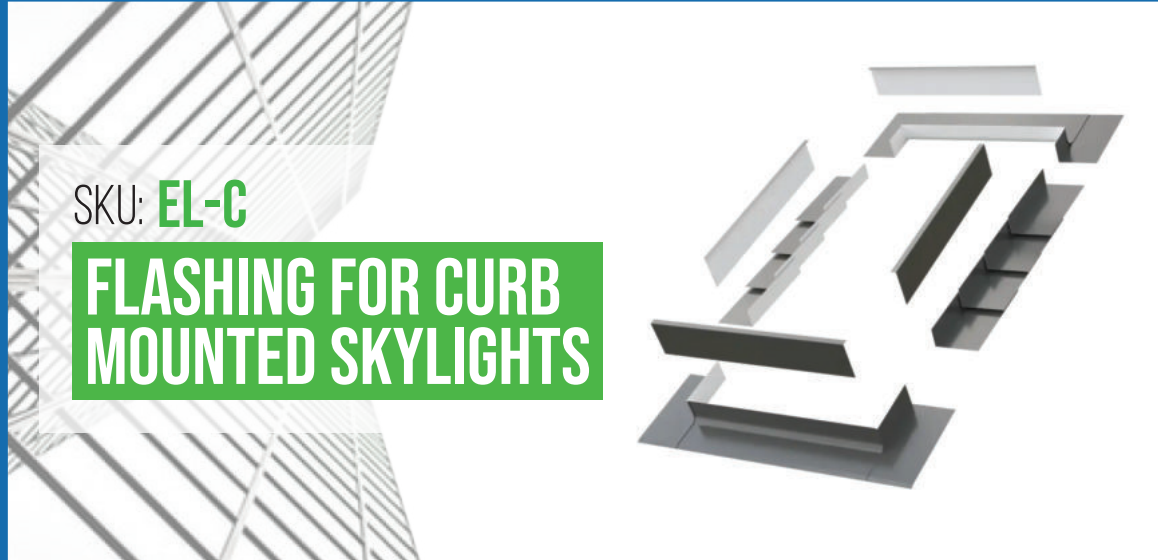
**ROOF COVERING TYPE:**

Plain tile, flat up to 10 mm (2 x 5 mm).

**SIZE:**

14"x46",

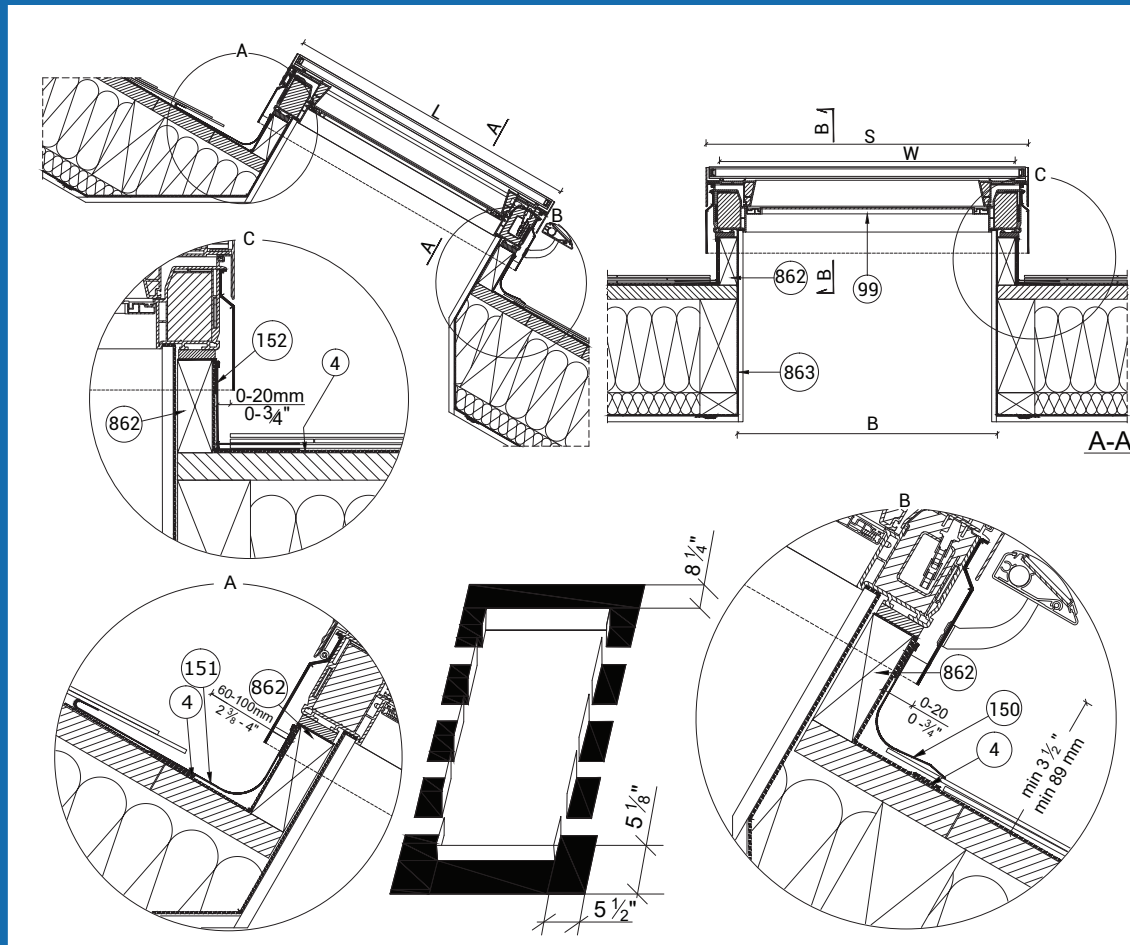
Outside Curb: 17 1/2"x49 1/2"



SKU: **EL-C**

**FLASHING FOR CURB MOUNTED SKYLIGHTS**

**DIMENSIONS AND APPEARANCE**



For a complete list of options visit [www.AccessDoorsAndPanels.com](http://www.AccessDoorsAndPanels.com)

**PROJECT DATA**

**Custom Sizes Available - Fast!**

PROJECT NAME :	QTY	W	H	OPTIONS
ARCHITECT :				
DEALER :				
CONTRACTOR :				
LOCATION :	SPECIAL INSTRUCTIONS :			
DATE :				
TAGGING INSTRUCTIONS :	SUBMITTAL APPROVAL : (signature or stamp)			

TELEPHONE:  
1-888-457-1275  
FAX:  
1-888-626-2907

PO BOX 66738 #76520,  
SAINT LOUIS, MO  
63166-6738  
USA

WEBSITE:  
[www.AccessDoorsAndPanels.com](http://www.AccessDoorsAndPanels.com)  
E-MAIL:  
[info@AccessDoorsAndPanels.com](mailto:info@AccessDoorsAndPanels.com)