

APPLICATION

The CDW Series Drywall Ceiling Access Panel is a cost-effective, durable flush access panel for ceiling installation that is perfect for applications where a concealed appearance is required such as high luxury properties including hotels, apartment complexes, educational facilities, lobbies, and government buildings. Featuring lightweight, Type X fire and impact resistant gypsum board (drywall) construction making them an excellent choice for use in residential and commercial bathrooms, locker rooms, showers, and more.

SKU: **BA-CDPC**

**ALL DRYWALL
CEILING ACCESS PANEL**



SPECIFICATION

DOOR & TRIM: 5/8" Frame and 1 inch thick door. Type X fire resistant drywall gypsum, moisture, mold, and mildew resistant.

FINISH: Composed of 100% recycled PURPLE paper on the face and back side. Completely paintable.

FEATURES

- Entirely of drywall
- Impact resistant
- Sealed edges for durability
- Moisture free and ready to match existing ceiling

OPTIONS (At Additional Cost)

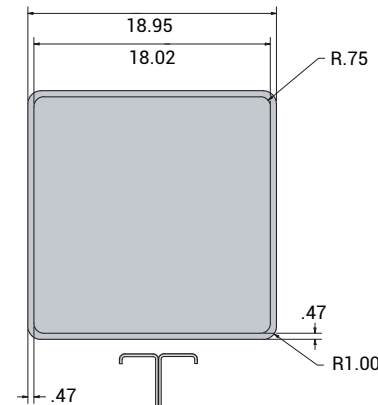
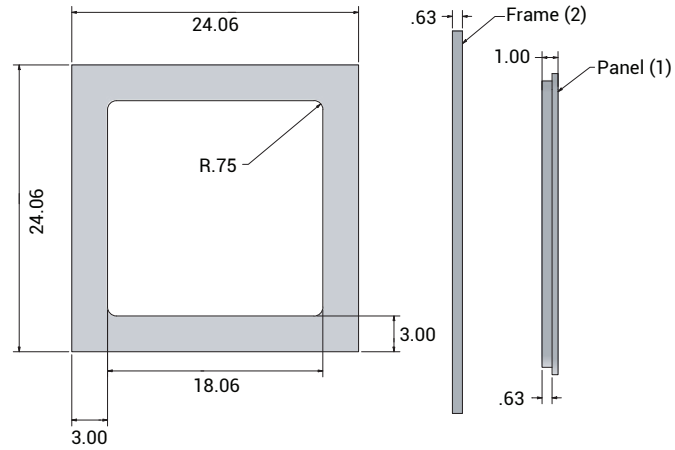
- Custom sizes available
- Gasketing

DIMENSIONS AND APPEARANCE

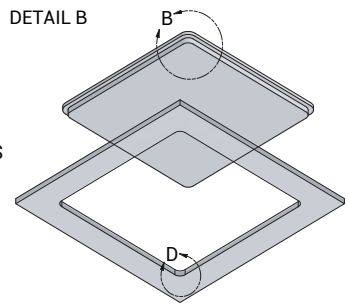
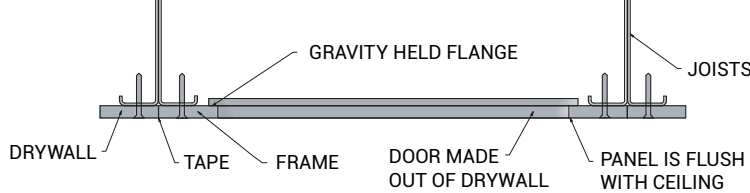
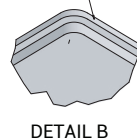
>> [CLICK TO VIEW ADDITIONAL DETAILS AND PRICING](#) <<

STANDARD SIZES:

DOOR SIZE W x H (IN.)	WALL OPENING (IN.)	SHIP WEIGHT (LBS)
9 x 9	15 x 15	3
12 x 12	18 x 18	5
16 x 16	22 x 22	9
18 x 18	24 x 24	11
24 x 24	30 x 30	14



EALED DRYWALL EDGES





For a complete list of options visit www.AccessDoorsAndPanels.com

PROJECT DATA

Custom Sizes Available - Fast!

PROJECT NAME :	QTY	W	H	OPTIONS
ARCHITECT :				
DEALER :				
CONTRACTOR :				
LOCATION :	SPECIAL INSTRUCTIONS :			
DATE :	SUBMITTAL APPROVAL : (signature or stamp)			
TAGGING INSTRUCTIONS :				

Scan  or  Click



To view Pricing and Additional Product Info.

TELEPHONE:
1-888-457-1275
FAX:
1-888-626-2907



PO BOX 66738 #76520,
SAINT LOUIS, MO
63166-6738
USA



WEBSITE:
www.AccessDoorsAndPanels.com
E-MAIL:
info@AccessDoorsAndPanels.com