

# RHA ALUMINUM LADDER ACCESS ROOF HATCH

### Application

Acudor Ladder Access Roof Hatches are designed to provide convenient, economical access to the roof of a building

### Features RHA

- Weather tight construction
- Convenient one-hand operation
- 12" high insulated curb
- Supports 40lbs./sq. ft. live load
- Stainless Steel Hardware

### Optional Features RHA

- Painted and Anodized finishes
- Polycarbonate domes for daylighting
- Louvered Curbs
- Curb Mounted Units
- Curb pitch corrected for sloped roof
- Higher curb heights for "green roof" applications

### RHA Specifications:

**Cover:** Double-skin construction ("in box type design") with 1" Polyiso (R-6) insulation and a continuous EPDM foam weather/draft seal gasket that is attached to the inside of cover to provide a flush, tight fit. Designed to support a live load of 40lbs./sq. ft., the cover is 11 gauge aluminum with a 20 gauge aluminum inside liner.

**Curb:** 11 gauge aluminum with 1" thick Polyiso (R-6) insulation at curb exterior. Curb is 12" high, with 3.375" wide bottom flange and pre-drilled mounting holes.

**Hinge:** Heavy duty Aluminum pintle hinges with 3/8" SS pin

**Opening:** Gas spring operators allow cover to open and close with ease. Stainless Steel Inside pull handle allows for easy control when closing cover.

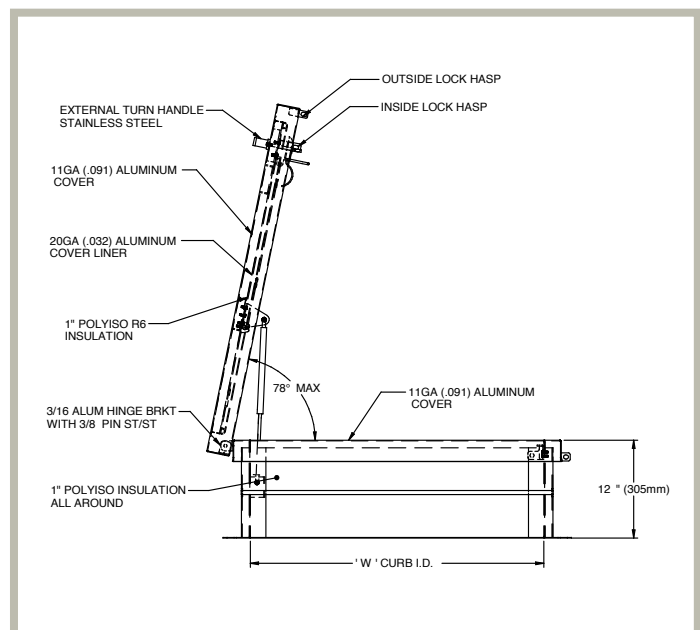
**Door Latch:** Self latching, Stainless steel outside T handle with stainless steel inside lock and lever assembly. Unit also has inside and outside padlock provisions.

**Finish:** Mill finish

### RHA STANDARD SIZES *(other sizes available)*

Model	Curb ID W&L	Weight per Hatch
	inches (mm)	lbs. (kg.)
A3232	24 x 24 (610 x 610)	60 (27.3)
A3238	24 x 30 (610 x 762)	65 (29.4)
A3244	24 X 36 (610 X 914)	70 (31.8)
A3838	30 x 30 (762 x 762)	75 (34.0)
A3844	30 x 36 (762 x 914)	85 (38.6)
A4444	36 x 36 (914 x 914)	95 (43.2)

For detailed specifications see submittal sheet





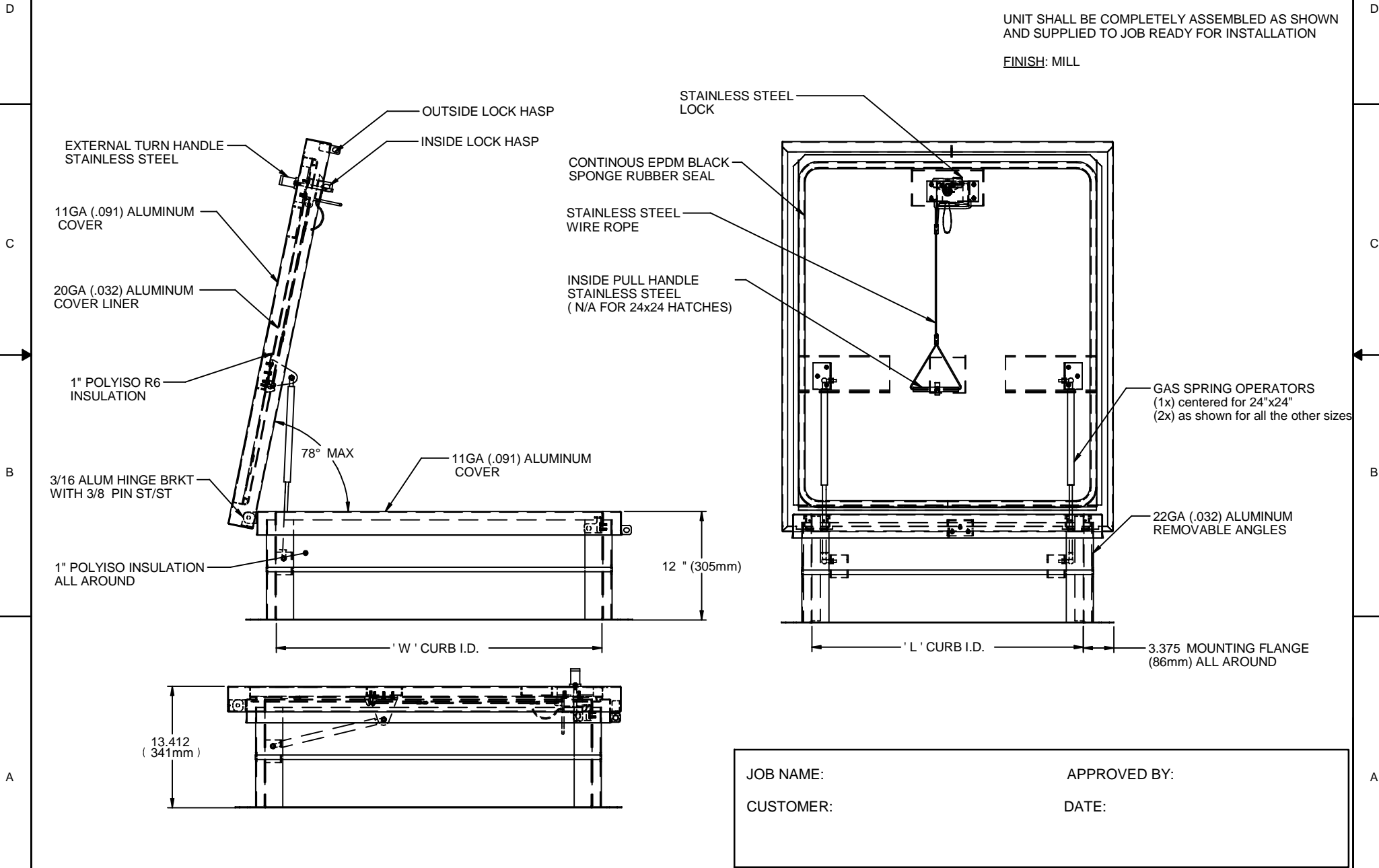
QTY	OPENING WIDTH 'W'	OPENING LENGHT 'L'	QTY	OPENING WIDTH 'W'	OPENING LENGHT 'L'
	24" (610mm)	24" (610mm)		36" (914mm)	30" (762mm)
	36" (914mm)	24" (610mm)		36" (914mm)	36" (914mm)
	30" (762mm)	30" (762mm)			

**LADDER ACCESS ROOF HATCH ALUMINUM**

ASSEMBLY NOTE:

UNIT SHALL BE COMPLETELY ASSEMBLED AS SHOWN AND SUPPLIED TO JOB READY FOR INSTALLATION

FINISH: MILL



JOB NAME:	APPROVED BY:
CUSTOMER:	DATE: