

# SUBMITTAL/TECHNICAL DATA SHEET



## DESCRIPTIONS

The access panel consists of aluminum profiles with inlayed drywall of 1.25" (31.8 mm).

Both an outer and an inner frame assembly consist of high grade aluminum which is bonded with a special welding process. The panel is equipped with triple layer protection and is assembled with a double self-expanding smoke seal to stop all smoke penetration during a fire.

This panel has a UL "B" Label for 60 Minutes in vertical surfaces. It also has a maximum temperature rise of 250° F for 30 minutes and is hose stream certified.

## ADVANTAGES

- Superior engineering & innovative design
- Fast delivery
- Quick and easy installation
- Solid aluminum frame
- Flush installation in walls



SKU: **F5**

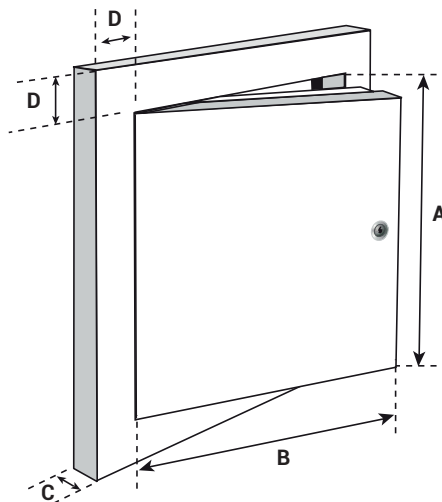
## DRYWALL ACCESS PANEL

FIRE-RATED



## DIMENSIONS AND APPEARANCE

>> CLICK TO VIEW ADDITIONAL DETAILS AND PRICING <<



The access panel is equipped with a profile cylinder lock.

Customized sizes can be produced in every dimension upon request.

### STANDARD SIZES:

SYSTEM F5 CODE	DIMENSIONS			
	A inch   mm	B inch   mm	C inch   mm	C inch   mm
A203203G127	8"   203	8"   203	1.25"   31.8	1.25"   31.8
A305305G127	12"   305	12"   305	1.25"   31.8	1.25"   31.8
A406406G127	16"   406	16"   406	1.25"   31.8	1.25"   31.8
A508508G127	18"   457	18"   457	1.25"   31.8	1.25"   31.8

For a complete list of options visit [www.AccessDoorsAndPanels.com](http://www.AccessDoorsAndPanels.com)

## PROJECT DATA

Custom Sizes Available - Fast!

Scan or Click



To view Pricing and Additional Product Info.

PROJECT NAME :	QTY	W	H	OPTIONS
ARCHITECT :				
DEALER :				
CONTRACTOR :				
LOCATION :	SPECIAL INSTRUCTIONS :			
DATE :	SUBMITTAL APPROVAL : (signature or stamp)			
TAGGING INSTRUCTIONS :				

TELEPHONE:  
1-888-457-1275  
FAX:  
1-888-626-2907



PO BOX 66738 #76520,  
SAINT LOUIS, MO  
63166-6738  
USA



WEBSITE:  
[www.AccessDoorsAndPanels.com](http://www.AccessDoorsAndPanels.com)  
E-MAIL:  
[info@accessdoorsandpanels.com](mailto:info@accessdoorsandpanels.com)