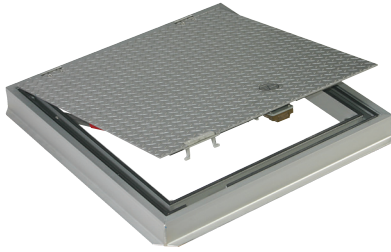


## DETAIL & SUBMITTAL SHEET



### SPECIFICATIONS:

**Cover:** 1/4" aluminum diamond plate equipped with a flushlifting handle and 316 stainless steel hold-open arm with red vinyl grip that automatically locks the cover in the 90 degree open position.

**Frame:** Extruded aluminum trough 1-1/2" threaded drain coupling, odor-reducing gasket, and continuous anchor flange on all four sides.

**Hinge:** 316 stainless steel hinges with 316 stainless steel tamper-resistant bolts/locknuts.

**Security:** Includes an exposed staple for user-supplied padlock.

**Automatic Hold-open And Closing Mechanism:** Door is equipped with a cast aluminum flush lifting handle, 316 stainless steel hold-open arm with red vinyl grip that automatically keeps the cover in its open/upright position, and vertical open compression springs for lift assist.

**Latch:** Two-point slam latch.

**Hardware:** 316 Stainless steel nuts and bolts.

**Loading:** 300 lbs per sq. ft.

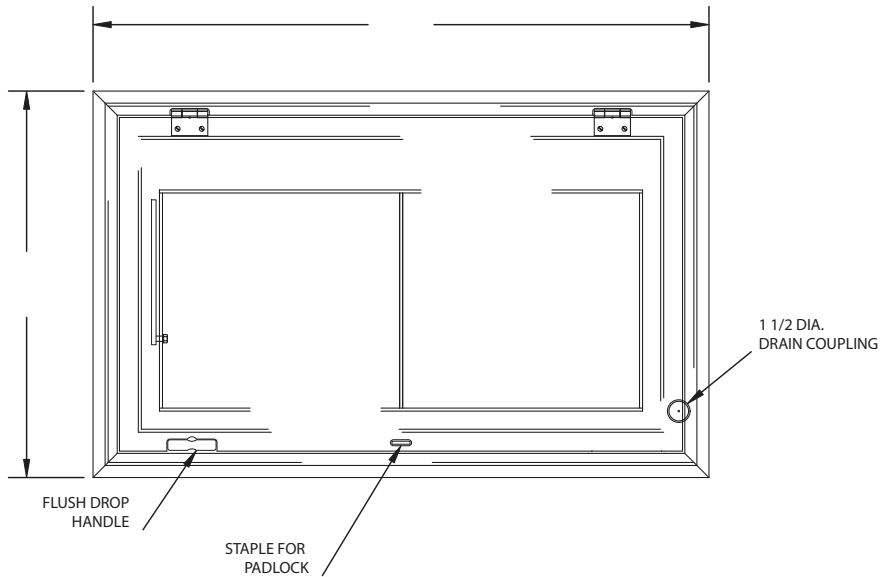
**Material/Finish:** Aluminum cover and frame have mill finish.

**Installation:** Installation shall be in accordance with the manufacturer's instructions.

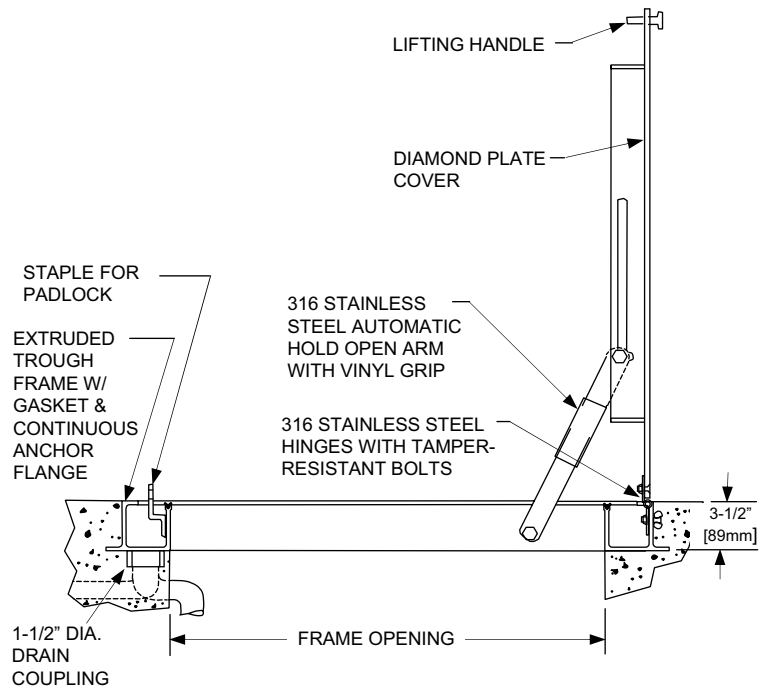
### OPTIONS:

- Debris gasket
- Recessed cylinder lock
- Frame skirts for easy casting into a concrete top slab
- Fiberglass insulation with metal liner
- Nut rails with stainless steel sliding nuts for attaching cable holders, brackets and other hardware
- Anodized finish
- Stainless steel safety chains w/ aluminum support posts
- Fall Trough Prevention Systems
- Side drain threaded coupling (instead of standard bottom drain)
- Adjust springs for wood or tile fill in recess area
- Special sizes available upon request

### FRONT ELEVATION



### SECTION DETAIL



Item No.	Single Door Opening W x Hinge Side	Material	Ship Wt. Lbs.
TPS 8300	24 x 24	Aluminum	60
TPS 8300	24 x 30	Aluminum	70
TPS 8300	24 x 36	Aluminum	75
TPS 8300	30 x 30	Aluminum	80
TPS 8300	30 x 36	Aluminum	90
TPS 8300	36 x 36	Aluminum	100
TPS 8300	36 x 48	Aluminum	120
TPS 8300	42 x 42	Aluminum	125

Steel available upon request.  
Call for submittal sheet.

## AccessDoorsAndPanels

Phone: 1-800-609-2917      Email: info@accessdoorsandpanels.com  
 Fax: 1-888-626-2907      Website: www.AccessDoorsAndPanels.com  
 PO Box 66738 #76520, Saint Louis, MO 63166 6738



www.AccessDoorsAndPanels.com